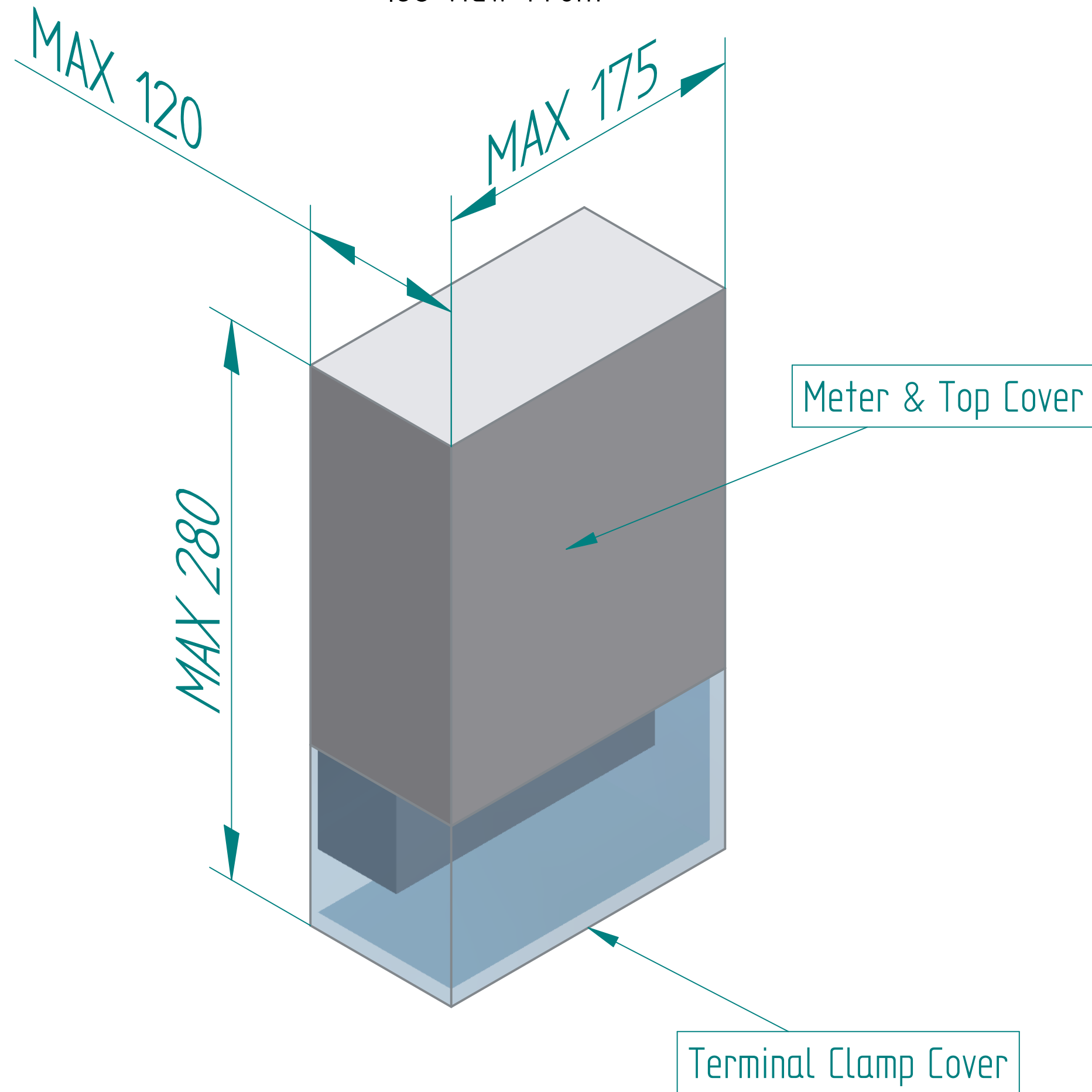


Three phase meter – Dimensional constraints

ISO View: Front



ISO View: Rear mounting points of meter

